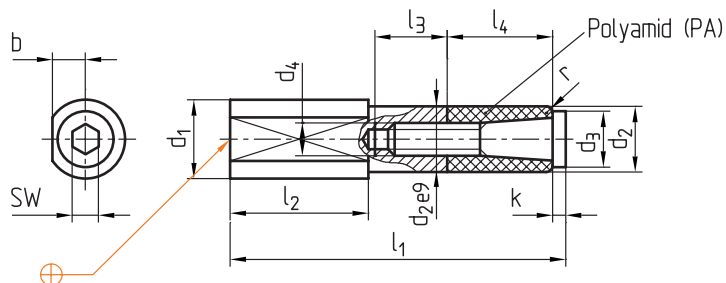


Z172/...

Mat.: ≈ 1.0711



► Info

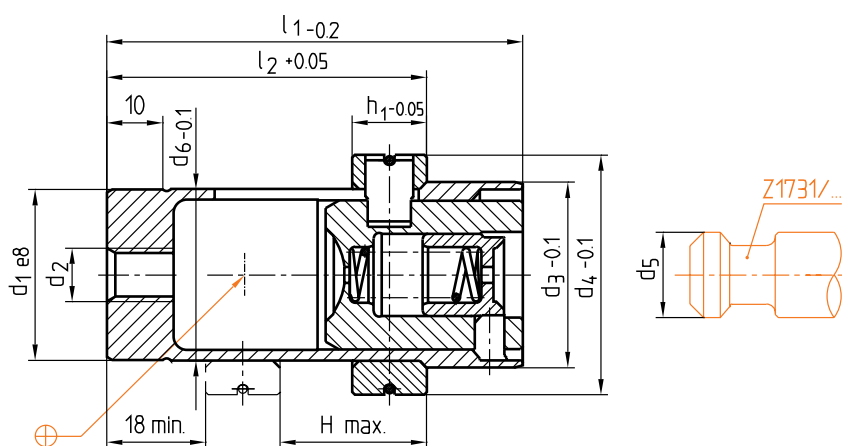


max. °C	r	b	k	SW	l <sub>3</sub>	l <sub>4</sub>	l <sub>2</sub>	l <sub>1</sub>	d <sub>1</sub>	d <sub>4</sub>	d <sub>3</sub>	d <sub>2</sub>	Nr./No.
120	1	5	2	4	12	16	22	51	12	M5	8,5	<b>10</b>	Z172/10
	1,5	8	4	6	14	25	23	72	18	M8	13	<b>16</b>	16

Z173/...



► Info



H = Hub/Stroke/Course

h <sub>1</sub>	l <sub>2</sub>	l <sub>1</sub>	d <sub>6</sub>	d <sub>5</sub>	d <sub>4</sub>	d <sub>3</sub>	d <sub>2</sub>	d <sub>1</sub>	H min.	H max.	Nr./No.
14	60	78	32,2	14	44,8	34,8	M10	<b>32</b>	6	<b>28</b>	Z173/32x28
	88	106								<b>56</b>	32x56
16	70	90	38,2	18	51,8	40,8	M12	<b>38</b>	8	<b>36</b>	38x36
	105	125								<b>71</b>	38x71

This is trial version  
www.adultpdf.com